

Shut-Off Damper air-tight according to DIN 1946 - part 4



Type
HF - AK



Shut-Off Damper



HF shut-off dampers of series HF - AK are manufactured as stabil, circular construction types of Ø 160 to Ø 710 mm.

Other sizes or special versions, for example reinforced industrial versions, are also available on request.

In closed position, the dampers for air flow shut-off are air-tight according to DIN 1946 - part 4. They are excellent for use in aggressive exhaust air.

All parts in contact with the exhaust medium are of plastics, or covered with plastics.

Chemically resistant plastics are used for casing and blade, PVC, PP, PPs or PE as standard, optional material to specification, for example, electrically conducting versions for use in Ex-Zone 1.

Through the pipe-, sleeve- or flange couplings on both sides the shut-off dampers can be inserted at any point of the piping

The blades can be operated electrically, pneumatically or manually.

The wear-resistant shaft bearing is air-tight. Shaft-seal can be replaced from outside.

There are no internal stops required and because of the optimized flow construction of the blades, the units are very quiet. This means that the noise through the shut-off damper doesn't increase the piping noise level under normal operating conditions.



Shut-Off Valve

Tendering Specification

HF shut-off dampers of stabil, circular construction for ggressive media volume flows. Casing with blade for air-tight shut-off according to DIN 1946 - part 4.

The wear-resistant shaft bearing is air-tight. Shaft-seal can be replaced from outside.

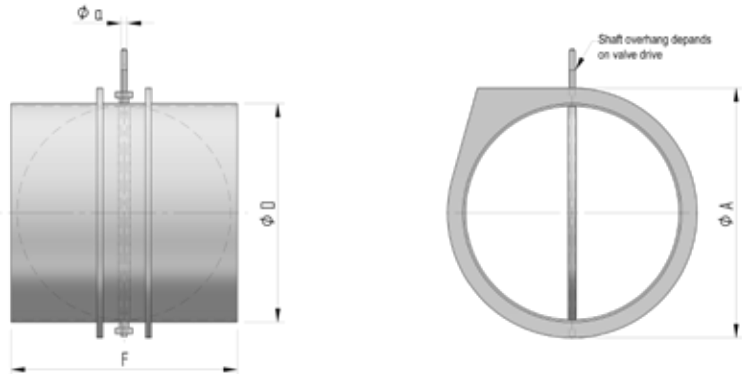
All parts in contact with the exhaust medium are of plastics, or overed with plastics. There are no internal stops required and because of the optimized flow construction of the blades, the units are very quiet.

Manufacturer : Hürner Luft- und Umwelttechnik
Type : HF-AK.....

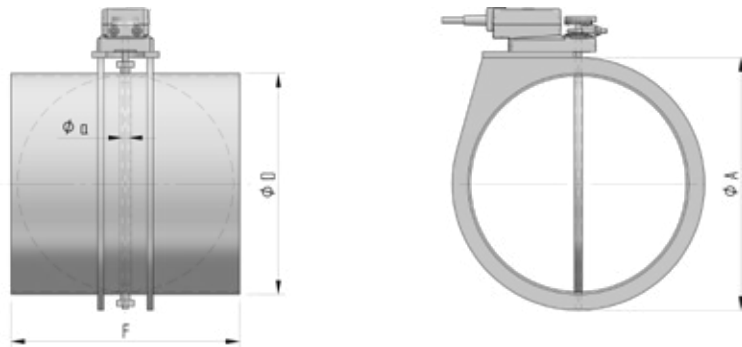
Coupling diameter : mm
 Material :
 Coupling type : pipe, sleeve, or flange coupling on both sides
 Actuator type : electrically, pneumatically or manually.
 Actuator make / type :
 Mounting length : mm

Pipe Coupling

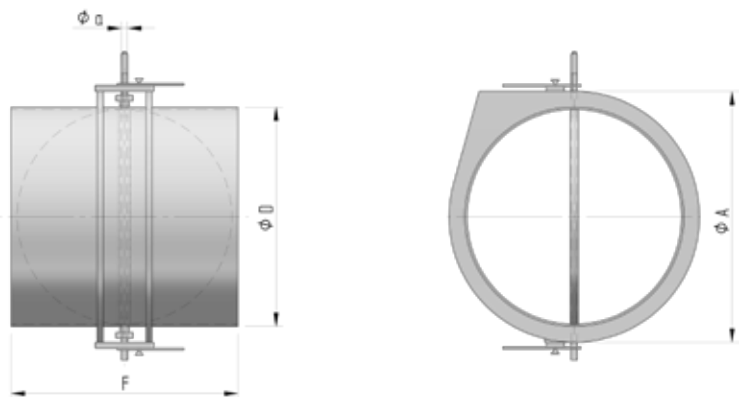
Shut-off damper with console for blade actuator provided by customer.



Shut-off damper with blade actuator attached.
(electrically or pneumatically execution)



Shut-off damper with manually operation.
(up to Ø 400 one-sided; from Ø 450 on both-sides)



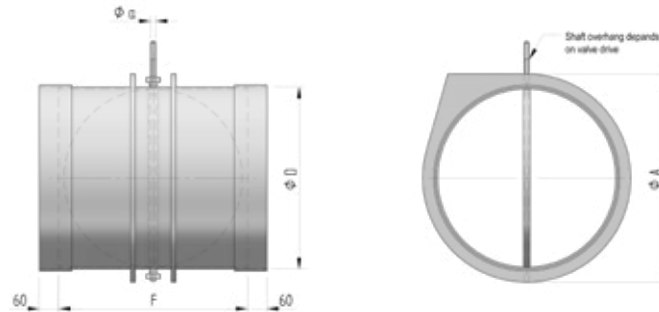
| Dimensions | | | | Required torques for blade actuator |
|------------|-----|-----|-----|-------------------------------------|
| Ø D | Ø A | Ø a | F | |
| 160 | 230 | 12 | 220 | 10 Nm |
| 180 | 250 | 12 | 220 | 10 Nm |
| 200 | 270 | 12 | 220 | 10 Nm |
| 250 | 320 | 12 | 270 | 10 Nm |
| 315 | 395 | 12 | 335 | 10 Nm |
| 355 | 435 | 12 | 375 | 20 Nm |
| 400 | 480 | 12 | 420 | 20 Nm |
| 450 | 520 | 12 | 470 | 20 Nm |
| 500 | 580 | 15 | 520 | 20 Nm |
| 560 | 640 | 15 | 580 | 40 Nm |
| 630 | 710 | 15 | 650 | 40 Nm |
| 710 | 790 | 15 | 730 | 40 Nm |

dimensions in mm

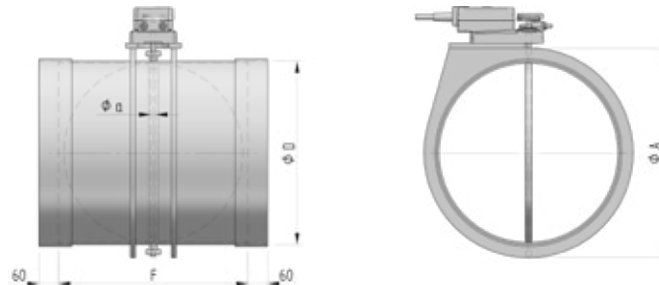
HF - AK

Sleeve Coupling

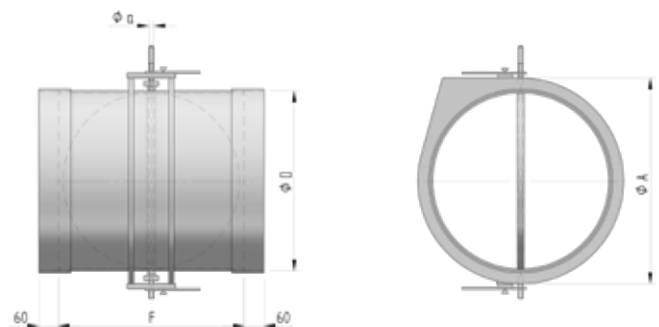
Shut-off damper with console for blade actuator provided by customer.



Shut-off damper with blade actuator attached.
(electrically or pneumatically execution)



Shut-off damper with manually operation.
(up to Ø 400 one-sided; from Ø 450 on both-sides)

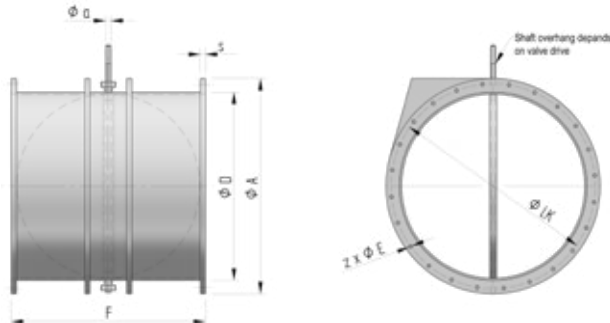


| Dimensions | | | | Required torques for blade actuator |
|------------|-----|-----|-----|-------------------------------------|
| Ø D | Ø A | Ø a | F | |
| 160 | 230 | 12 | 220 | 10 Nm |
| 180 | 250 | 12 | 220 | 10 Nm |
| 200 | 270 | 12 | 220 | 10 Nm |
| 250 | 320 | 12 | 270 | 10 Nm |
| 315 | 395 | 12 | 335 | 10 Nm |
| 355 | 435 | 12 | 375 | 20 Nm |
| 400 | 480 | 12 | 420 | 20 Nm |
| 450 | 520 | 12 | 470 | 20 Nm |
| 500 | 580 | 15 | 520 | 20 Nm |
| 560 | 640 | 15 | 580 | 40 Nm |
| 630 | 710 | 15 | 650 | 40 Nm |
| 710 | 790 | 15 | 730 | 40 Nm |

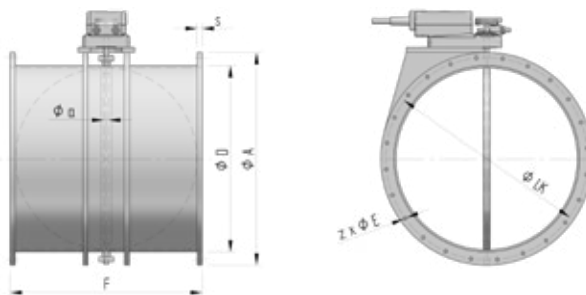
dimensions in mm

Flange Coupling

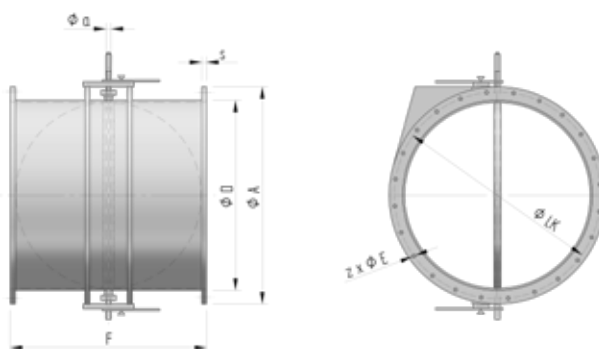
Shut-off damper with console for blade actuator provided by customer.



Shut-off damper with blade actuator attached.
(electrically or pneumatically execution)

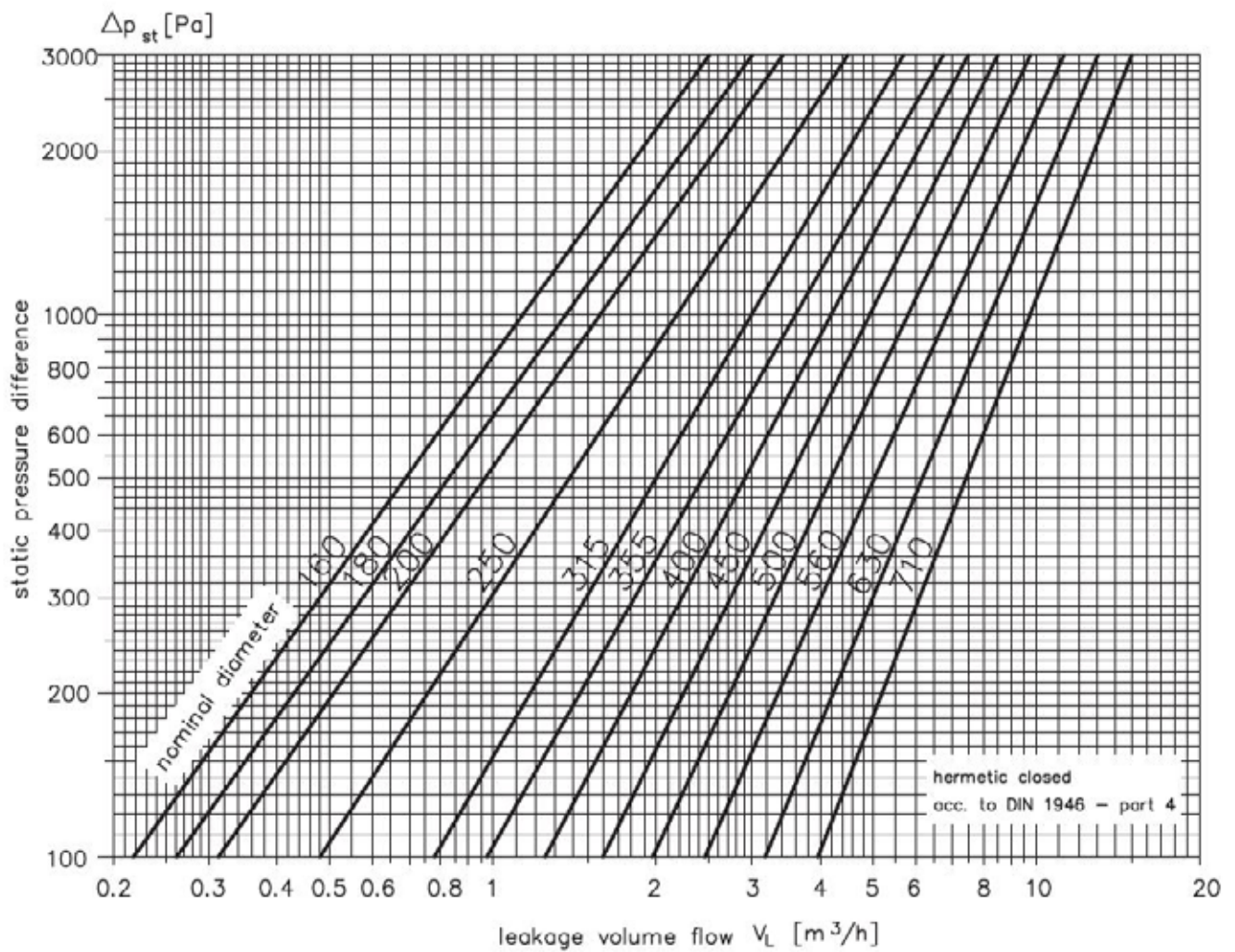


Shut-off damper with manually operation.
(up to Ø 400 one-sided; from Ø 450 on both-sides)



| Dimensions | | | | | | | | | Required torques for blade actuator |
|------------|-----|-----|-----|-----|-----|----|----|----|-------------------------------------|
| Ø D | Ø B | Ø A | Ø a | F | ØLK | z | ØE | s | |
| 160 | 154 | 230 | 12 | 220 | 200 | 8 | 7 | 8 | 10 Nm |
| 180 | 174 | 250 | 12 | 220 | 220 | 8 | 7 | 8 | 10 Nm |
| 200 | 194 | 270 | 12 | 220 | 240 | 8 | 7 | 8 | 10 Nm |
| 250 | 242 | 320 | 12 | 270 | 290 | 12 | 7 | 8 | 10 Nm |
| 315 | 305 | 395 | 12 | 335 | 350 | 12 | 9 | 10 | 10 Nm |
| 355 | 345 | 435 | 12 | 375 | 400 | 12 | 9 | 10 | 20 Nm |
| 400 | 388 | 480 | 12 | 420 | 445 | 16 | 9 | 10 | 20 Nm |
| 450 | 438 | 520 | 12 | 470 | 490 | 20 | 9 | 10 | 20 Nm |
| 500 | 488 | 580 | 15 | 520 | 550 | 20 | 9 | 10 | 20 Nm |
| 560 | 548 | 640 | 15 | 580 | 610 | 24 | 11 | 15 | 40 Nm |
| 630 | 618 | 710 | 15 | 650 | 680 | 24 | 11 | 15 | 40 Nm |
| 710 | 698 | 790 | 15 | 730 | 760 | 28 | 11 | 15 | 40 Nm |

dimensions in mm



www.hlu.eu

Hürner Luft- und Umwelttechnik GmbH

Ernst-Hürner-Straße
35325 Mücke-Atzenhain
Germany

Tel. +49 6401 9180 - 0
Fax +49 6401 9180 - 142

info@hlu.eu

Sälzerstraße 20a
56235 Ransbach-Baumbach
Germany

Tel. +49 2623 92 95 9 - 0
Fax +49 2623 92 95 9 - 99

